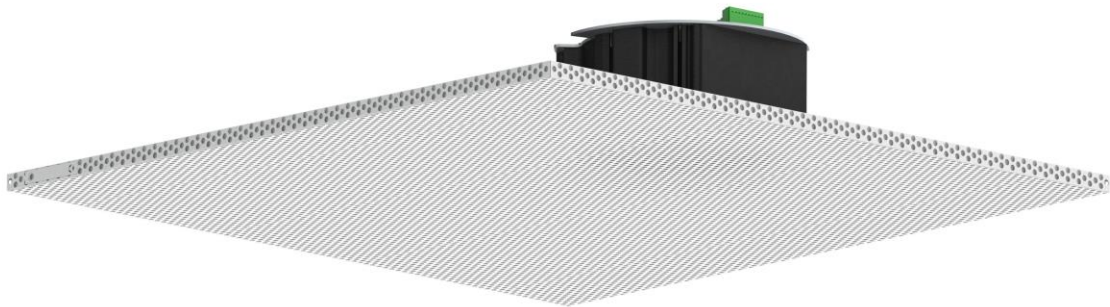




**wahsega**  
**labs**

## **2x2 Classroom Ceiling Speaker with SIP**

### *Installer's Guide*



### **Getting Started**

This step-by-step guide will help you install your Wahsega 2x2 Classroom Ceiling Speaker with SIP.

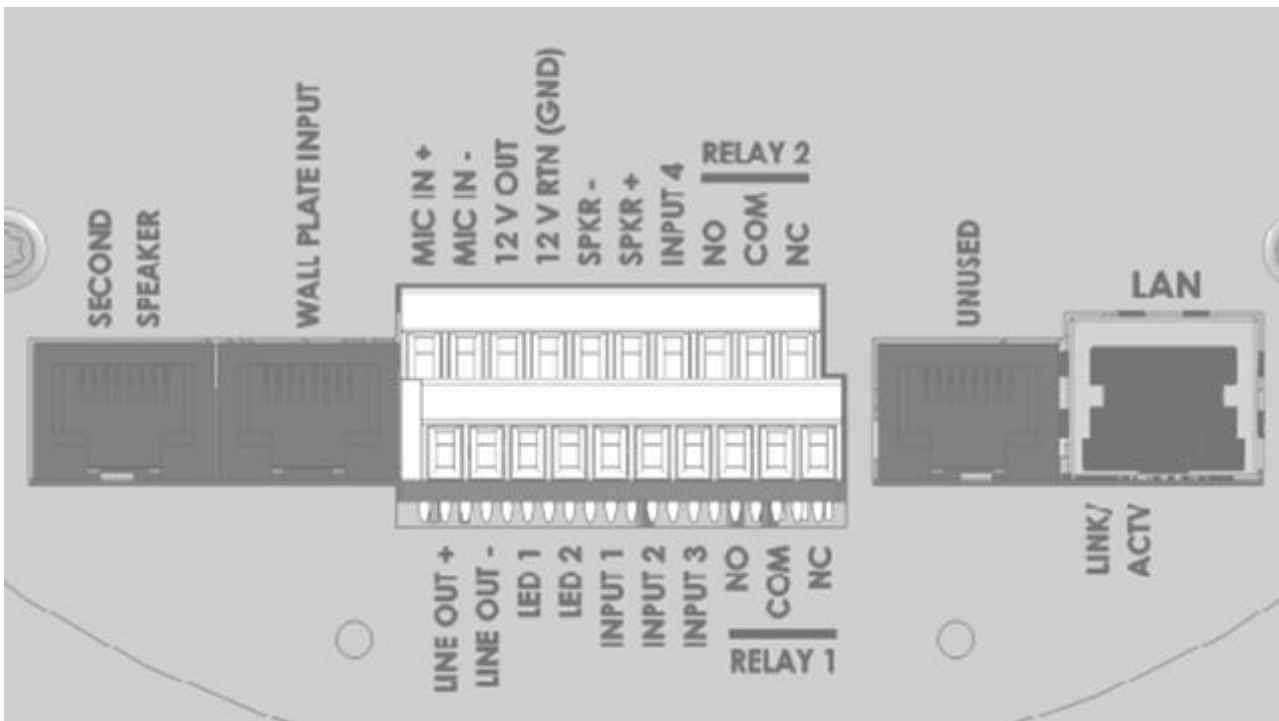
## What You Will Need

- **PoE power**
  - Power-over-Ethernet (PoE) injector  
**or**
  - PoE capable switch
- **Remote communication point**
- **Network cable** (Cat 5e or Cat 6)

## Wiring Your Wahsega Speaker



Enlarged Area



## SECOND SPEAKER

Connect to a secondary Wahsega speaker up to 20m away via Cat5e or Cat6 cable.

- Use straight cable. Cannot be a crossover cable.

## WALLPLATE INPUT

Connect to Wahsega Sound Reinforcement Input Panel (optional) up to 100ft away via Cat5e or Cat6 cable.

- Use straight cable. Cannot be a crossover cable.

## TERMINAL BLOCKS

<b>MIC IN +</b>	Unused
<b>MIC IN -</b>	Unused
<b>12 V OUT</b>	Fused, nominal 12V output, max 0.5A. Subject to power capabilities of PoE.
<b>12 V RTN (GND)</b>	Ground
<b>SPKR -</b>	Unused
<b>SPKR +</b>	Unused
<b>INPUT 4</b>	Unused
<b>RELAY 2: NO</b>	Isolated dry contact closure. Normally Open.
<b>RELAY 2: COM</b>	Isolated dry contact closure. Common.
<b>RELAY 2: NC</b>	Isolated dry contact closure. Normally Closed.

<b>LINE OUT +</b>	Consumer line input level (-10dBV)
<b>LINE OUT -</b>	Consumer line input level (+10dBV)
<b>LED 1</b>	Unused
<b>LED 2</b>	Unused
<b>INPUT 1</b>	Contact closure to ground (12 V RTN). Connect a <b>Panic Button</b> using <i>Input 1</i> and 12 V RTN (GND).
<b>INPUT 2</b>	Unused
<b>INPUT 3</b>	Unused
<b>RELAY 1: NO</b>	Isolated dry contact closure. Normally Open.
<b>RELAY 1: COM</b>	Isolated dry contact closure. Common.
<b>RELAY 1: NC</b>	Isolated dry contact closure. Normally Closed.

## UNUSED

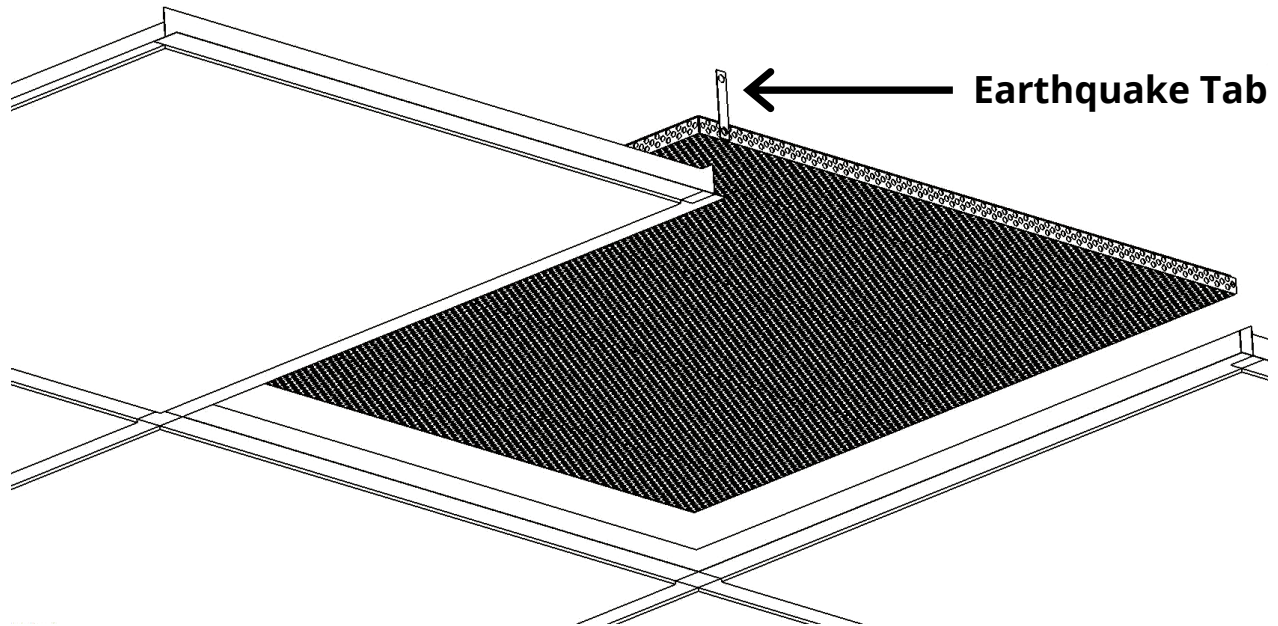
Not used at this time.

## LAN / POE

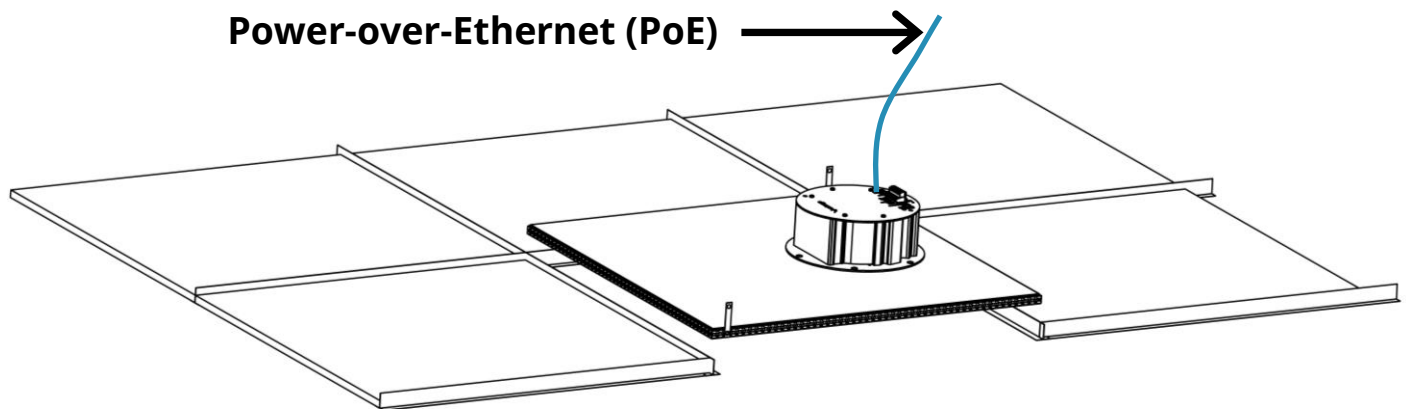
To use Power-over-Ethernet (PoE), route a Cat 5e or Cat 6 Ethernet cable through a PoE injector to the LAN/POE port.

- Once the unit is successfully powered, the LINK/ACTV indicator LED will begin to blink.

## Installing in a 2x2 Grid Ceiling

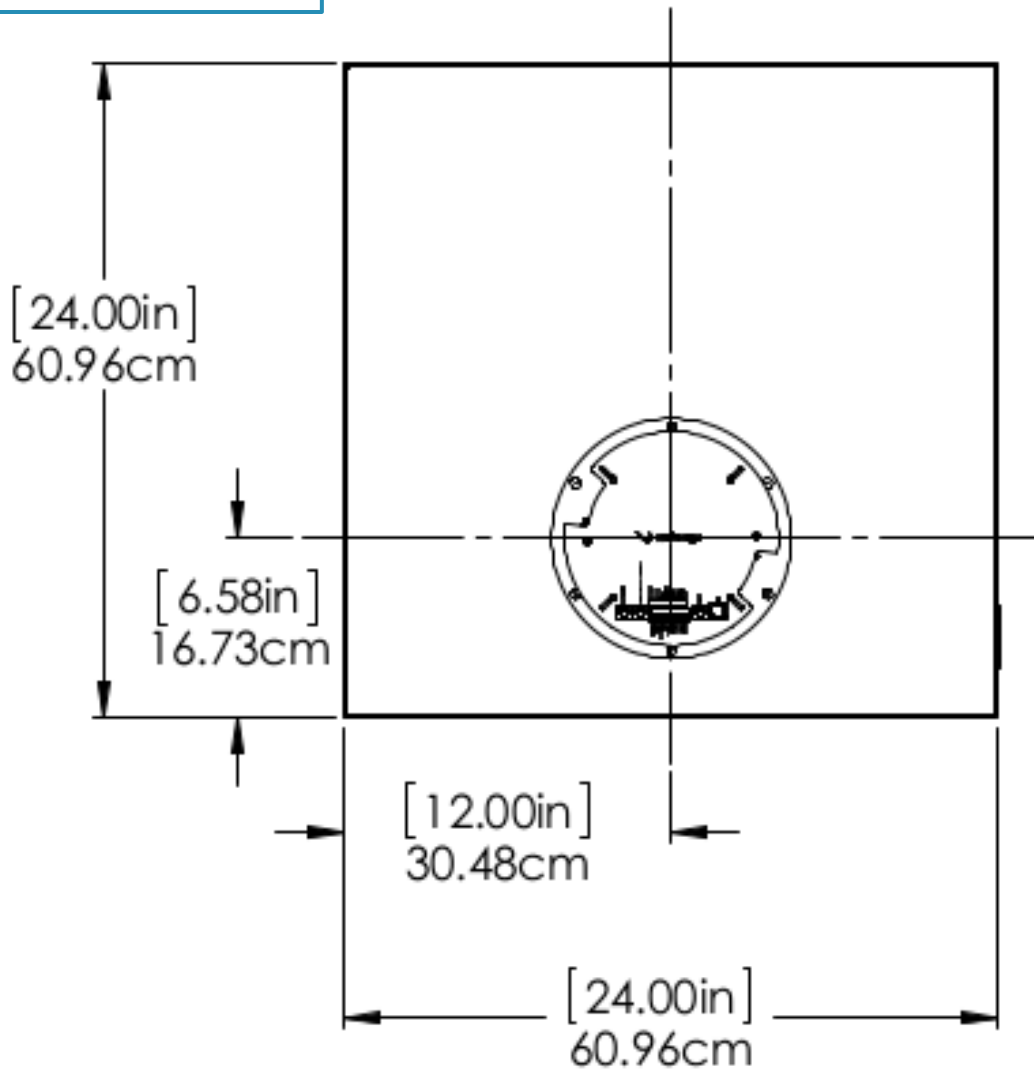


1. Lift earthquake tabs until perpendicular to the speaker frame.
2. Carefully angle and lift speaker and place into ceiling grid.
3. Insure that wires and cables are properly connected.
4. Attach earthquake tabs to secure speaker to structure per local building and electrical codes.

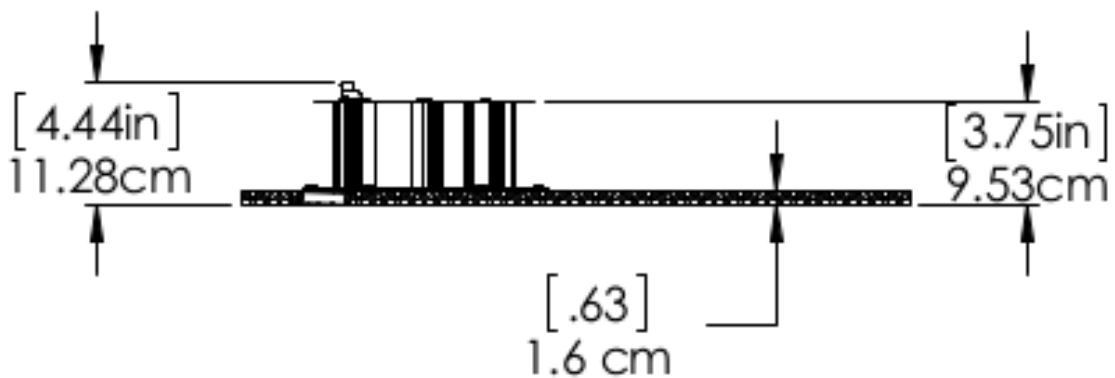


## Dimensions

### Length and Width



### Depth



## Standards Compliant

This product is designed and manufactured in the USA.

- ROHS compliant
- Industrial temperature -40C to +85C.





## **2x2 Classroom Ceiling Speaker with SIP**

WL-SPKR-22-SIP-1

WL-SPKR-22-SIP-2

WL-SPKR-22-B

Installation Guide

Rev A 5.30.2017