

## V-2991 CALL SWITCH WITH VOLUME CONTROL

### INTRODUCTION

The V-2991, Call Switch with Volume Control, is designed to be used with Valcom Talkback Page Control Units with the remote calling feature. The V-2991 provides a call button for connection to customer provided signaling equipment.

### FEATURES

- Modern décor styling
- Designed to fit in a standard single-gang electrical box
- No external power source required
- Black "Call" button for call annunciation
- Built-in Volume Control

### DIMENSIONS/WEIGHT

- 4.50"H x 2.75"W x 1.00"D  
(11.43cm H x 6.99cm W x 2.54cm D)
- 0.2 lbs. (.09 kg)

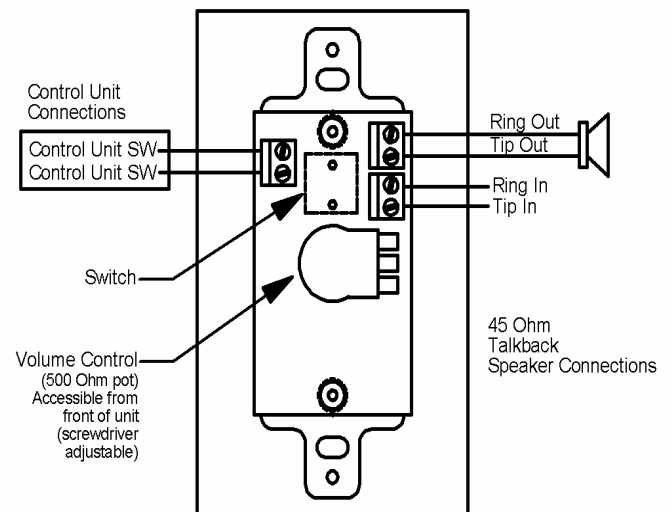
### INSTALLATION

These instructions cover only the installation procedures for the Valcom V-2991. Consult the installation instructions of other equipment for information relative to each piece of equipment.

1. Connect switch inputs from control unit to V-2991 as shown in connection diagram.
2. Connect audio Tip and Ring from control unit to V-2991 as shown in connection diagram.
3. Connect V-2991 to audio Tip and Ring of 45 Ohm Talkback Speaker.
4. Press call button to test loudness of tone at speaker and adjust volume of tone through cut-out on the front of the V-2991 enclosure using a 1/16 inch flat tip screwdriver.
5. Place V-2991 over standard single-gang electrical box and fasten in place using the two screws provided.



**V-2991 CONNECTIONS**  
(Rear View)



## **TECHNICAL ASSISTANCE**

When trouble is reported, verify that power is being supplied to the unit and there are no shorts or grounds on cabling.

Assistance in troubleshooting is available from the factory. When calling, you should have a VOM and a telephone test set available and be calling from the job site. Call (540) 563-2000 for Technical Support or visit our website at <http://www.valcom.com>.

Valcom equipment is not field repairable. Valcom, Inc. maintains service facilities in Roanoke, VA. Should repairs be necessary, attach a tag to the unit clearly stating company name, address, phone number, contact person and the nature of the problem. Send the unit to:

**Valcom, Inc.  
Repair and Return Dept.  
5614 Hollins Road  
Roanoke, VA 24019-5056**

### **VALCOM LIMITED WARRANTY**

Valcom, Inc. warrants its products to be free from defects in materials and workmanship under conditions of normal use and service for a period of one year from the date of shipment. The obligation under this warranty shall be limited to the replacement, repair or refund of any such defective device within the warranty period, provided that:

1. inspection by Valcom, Inc. indicates the validity of the claim;
2. the defect is not the result of damage, misuse or negligence after the original shipment;
3. the product has not been altered in any way or repaired by others and that factory sealed units are unopened (a service charge plus parts and labor will be applied to units defaced or physically damaged);
4. freight charges for the return of products to Valcom are prepaid;
5. all units 'out of warranty' are subject to a service charge. The service charge will cover minor repairs (major repairs will be subject to additional charges for parts and labor).

**This warranty is in lieu of and excludes all other warranties, expressed or implied, and in no event shall Valcom, Inc. be liable for any anticipated profits, consequential damages, loss of time or other losses incurred by the buyer in connection with the purchase, operation or use of the product.**

This warranty specifically excludes damage incurred in shipment. In the event a product is received in damaged condition, the carrier should be notified immediately. Claims for such damage should be filed with the carrier involved in accordance with the F.O.B. point.

Head Quarters:  
Valcom, Inc.  
5614 Hollins Road  
Roanoke, VA 24019-5056  
Phone: (540) 563-2000  
Fax: (540) 362-9800

