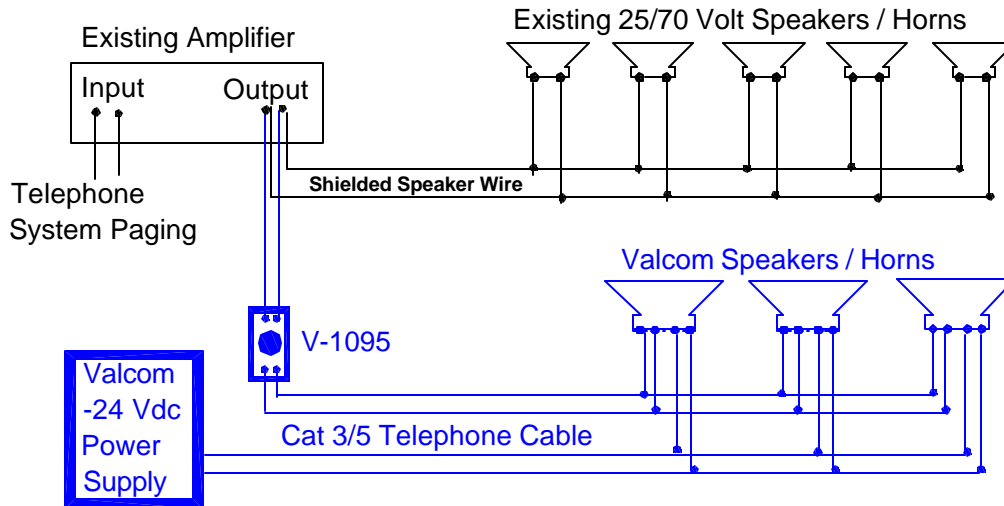


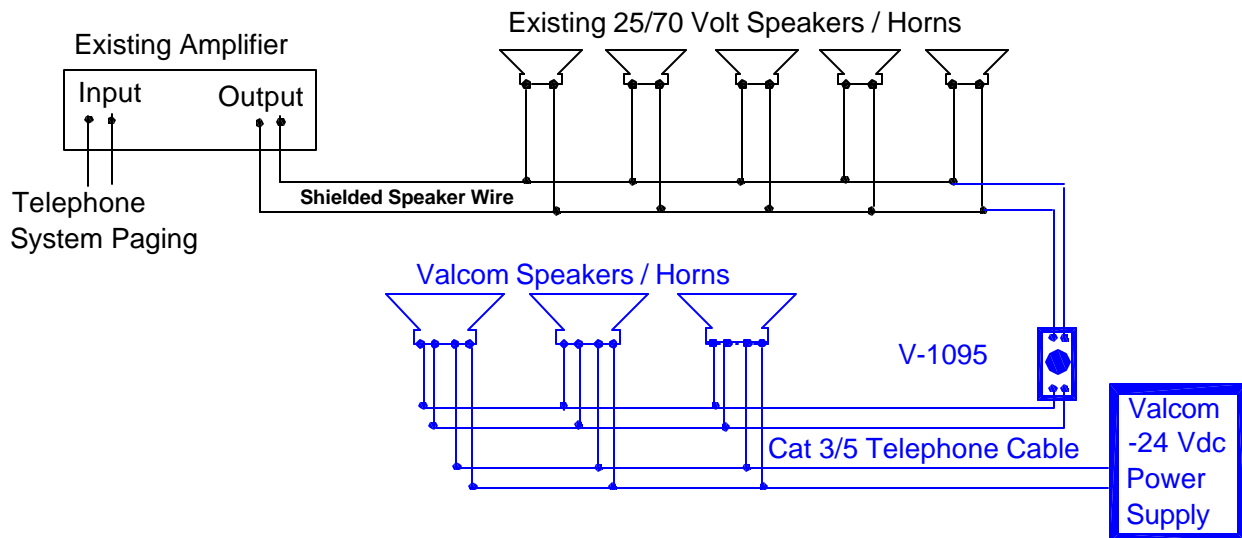
## Adding Speakers/Horns To Existing 25/70 Volt Centrally Amplified Systems

When an existing 25/70-Volt Central Amplifier cannot handle additional speakers or horns, use the V-1095 25/70-Volt Expander instead of adding an additional amplifier. By using the V-1095, you can add Valcom Self-Amplified speakers and horns to the existing system without placing an additional load on the amplifier.

In situations where the new wire run for the Valcom speakers/horns originates at the Central Amplifier, use the V-1095 25/70-Volt Expander to tap into the audio output of the amplifier.



In situations where it is not practical to run a new wire from the amplifier location to the new speakers/horns location, use the V-1095, 25/70-Volt Expand to tap into an existing 25/70-Volt speaker wire run.



**VALCOM**

5614 Hollins Road  
Roanoke, VA 24019  
540-563-2000  
support@valcom.com

T1095 > Amps