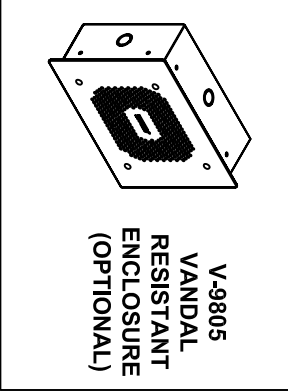
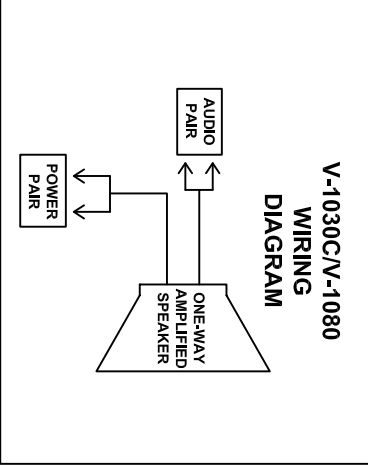
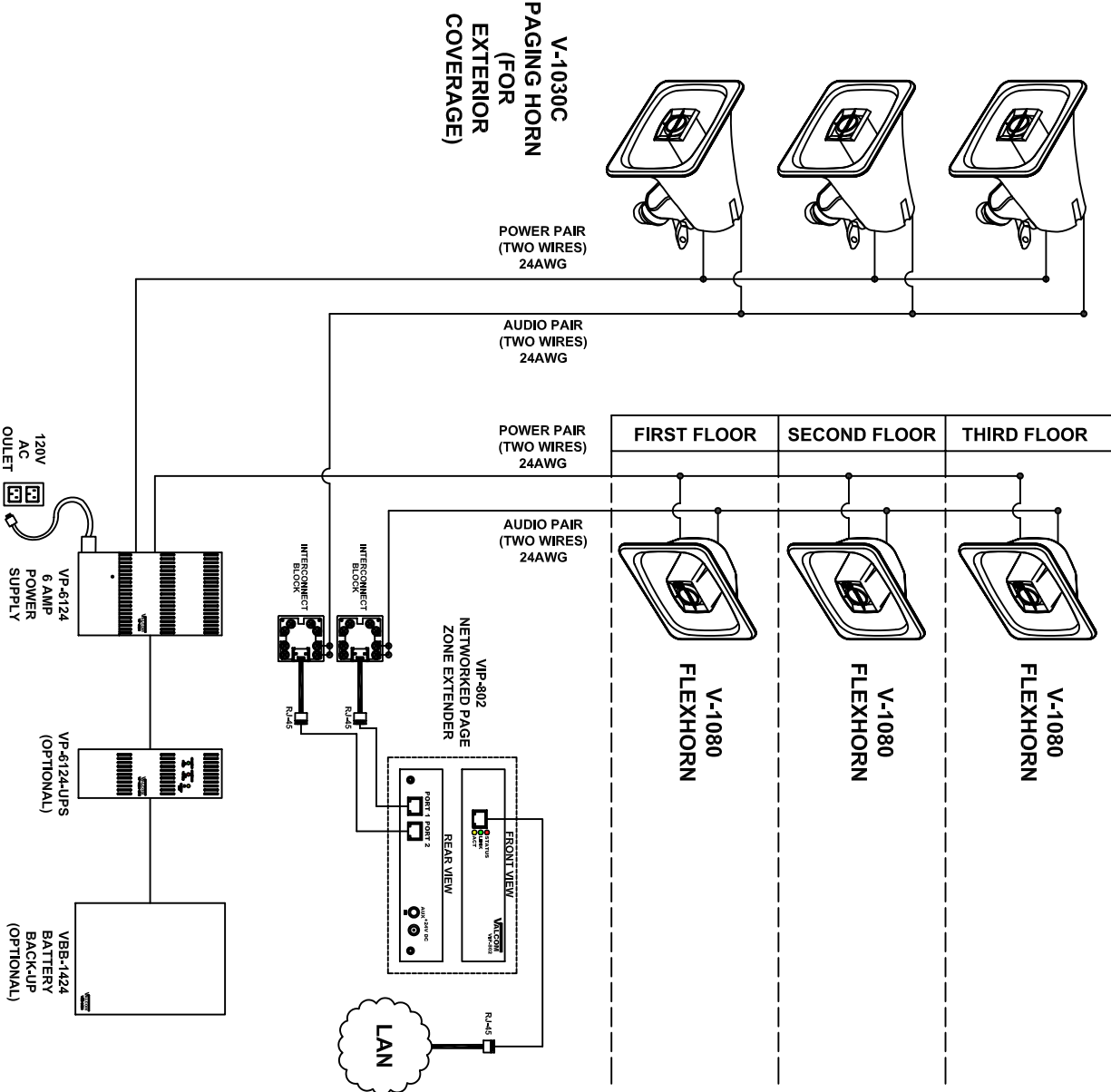


CAMPUS EMERGENCY NOTIFICATION SYSTEM BUILDING DESIGN LAYOUT



VALCOM

5614 Hollins Road
Roanoke, VA 24019
540-563-2000
support@valcom.com