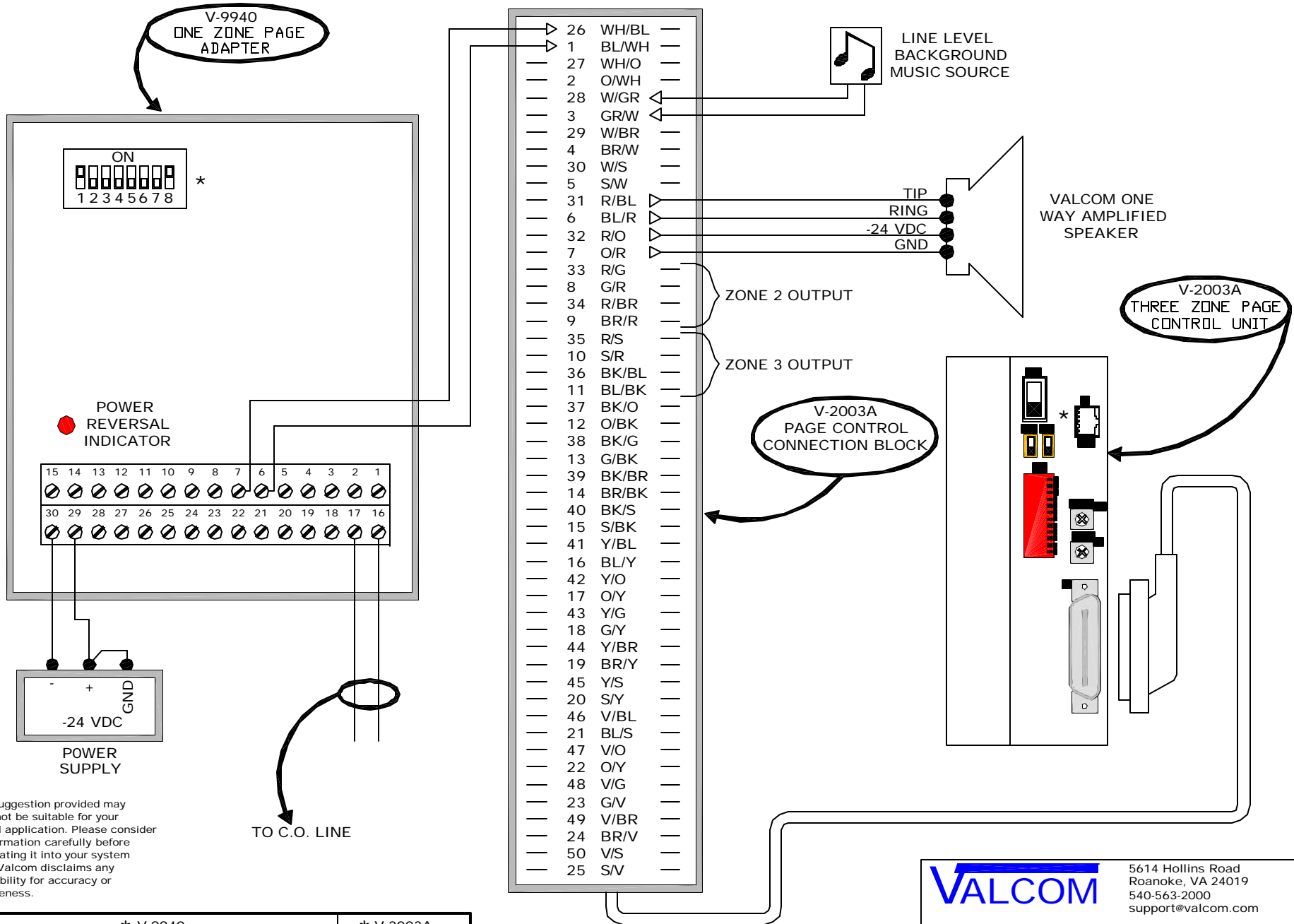


CENTRAL OFFICE ACCESS TO V-2003A (1 WAY PAGE)



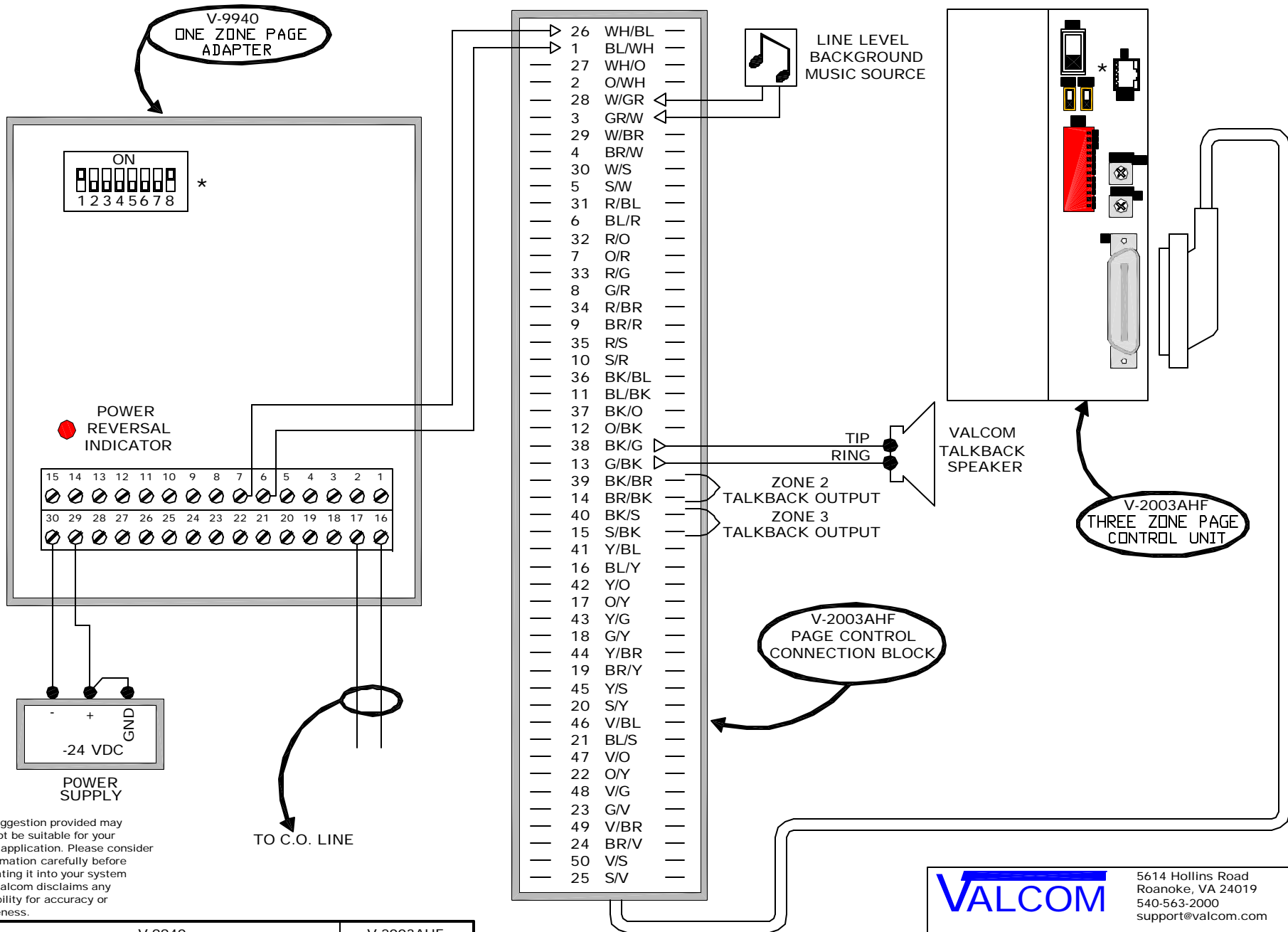
Note: The suggestion provided may or may not be suitable for your intended application. Please consider this information carefully before incorporating it into your system design. Valcom disclaims any responsibility for accuracy or completeness.

	* V-9940								* V-2003A
SWITCH SETTING	1	2	3	4	5	6	7	8	SW2
	ON	OFF	OFF	OFF	OFF	OFF	OFF	ON	ON

VALCOM
 5614 Hollins Road
 Roanoke, VA 24019
 540-563-2000
 support@valcom.com

T9940>2003A

CENTRAL OFFICE ACCESS TO V-2003AHF (TALKBACK PAGE)



Note: The suggestion provided may or may not be suitable for your intended application. Please consider this information carefully before incorporating it into your system design. Valcom disclaims any responsibility for accuracy or completeness.

	V-9940								V-2003AHF
SWITCH SETTING	1	2	3	4	5	6	7	8	SW2
	ON	OFF	OFF	OFF	OFF	OFF	OFF	ON	ON

VALCOM
5614 Hollins Road
Roanoke, VA 24019
540-563-2000
support@valcom.com

T9940>2003AHF